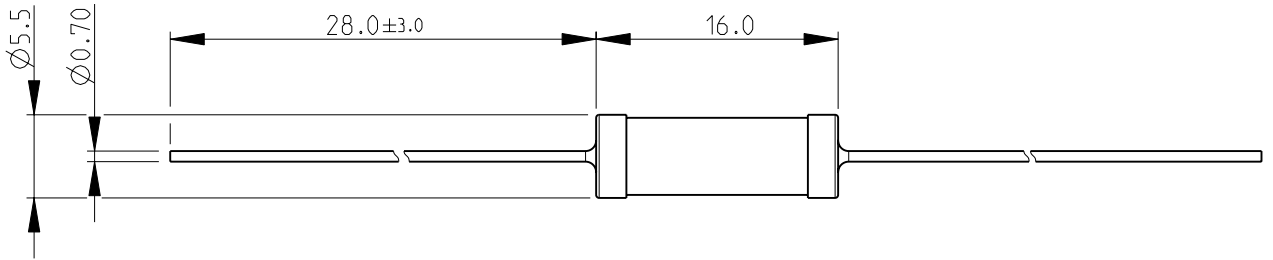
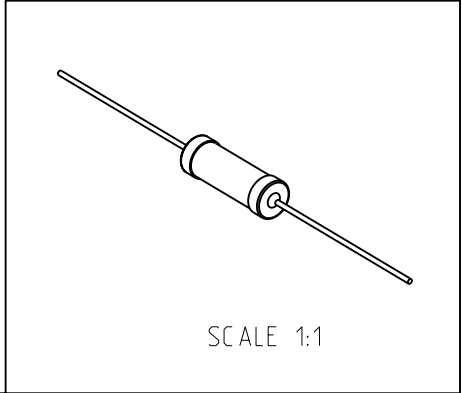


LOC	DIST	REVISIONS			
P	LTR	DESCRIPTION	DATE	DWN	APVD
E	B	BA1	REVISED PER ECO-11-005150	29MAR2011	RK HMR

FOR FURTHER INFORMATION SEE DATA SHEET FOR
CFR SERIES-CARBON FILM FIXED RESISTORS



RoHS Compliant



2008

RELEASED FOR PUBLICATION


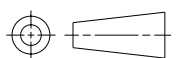
ALL RIGHTS RESERVED.

THIS DRAWING IS UNPUBLISHED.

BY -

2008



DIMENSIONS: mm	DWN SUBHASH.M	20-Sep-08	MATERIAL	-	FINISH	-	
	CHK PRAKASH.S	20-Sep-08	 TE Connectivity				
TOLERANCES UNLESS OTHERWISE SPECIFIED:	APVD STEPHEN.P	20-Sep-08					
0 PLC ± 0.2	PRODUCT SPEC	-	NAME CARBON FILM FIXED RESISTORS SERIES CFR200				
1 PLC ± 0.1	APPLICATION SPEC	-					
2 PLC \pm	WEIGHT	-	SIZE	A 4	CAGE CODE	00779	
3 PLC \pm		-	DRAWING NO	C= 1623929		RESTRICTED TO	
4 PLC \pm			CUSTOMER DRAWING	SCALE	2:1	SHEET	1 OF 1
ANGLES $\pm 5^\circ$							